



Jaw Crusher Capacity in Tons

Closed Side Setting	10x30	10x39	10x47	12x51	10x16	16x24	18x42	20x30	24x36	30x42	32x42	36x48
3/4" (20mm)	10-15	15-20	20-30		5							
1" (25mm)	15-25	20-30	30-40	50-70	15							
1-1/2" (40mm)	25-35	30-40	40-50	55-80	15-20	20-35						
2" (50mm)	35-40	40-50	50-60	55-90	20-25	30-50		50-65				
2-1/2" (65mm)	40-45	50-55	60-70	75-100	25-30	35-60		65-80				
3" (80mm)	45-50	55-60	70-80	85-110		45-70		80-95	70-90	100-125		
3-1/2" (90mm)				100-130		55-75	60-75	95-110	80-110	125-150		
4" (100mm)						60-80	70-90	110-120	90-120	150-175	150-175	280-340
4-1/2" (115mm)							80-105		110-140	175-200	175-200	300-350
5" (130mm)							90-120		120-170	200-225	200-225	320-370
6" (150mm)										225-250	225-250	360-400
7" (175mm)											250-275	380-420
8" (200mm)											275-300	400-450

All capacities are based on 100 lbs. per cubic ft. (45kg per cubic meter) weight of rock. Tonnage may vary depending on size of feed, rate of feed, peropare operation and operating conditions, breaking characteristics and compression strength of rock samples. Type and condition of jaw face and horsepower used can also effect production capacity.

Design & Specifications Subject to Change Without Notice



SHANGHAI KINGLINK INDUSTRY CO.,LTD

YouTube: Kinglink Aggregate Equipment

Email: info@kinglink-china.com Web: www.kinglinkcrusher.com

Address: NO.123 Shenmei Road, Pudong District, Shanghai, China 201318

Tel: +86-21-2095 8317 Fax: +86-21-2095 9271 WhatsApp: +86-13524689558



PE

3042 Jaw Crusher



Aggregate



Recycle



Construction



Mining

SHANGHAI KINGLINK INDUSTRY CO.,LTD



The Affordable New Crushing Equipment

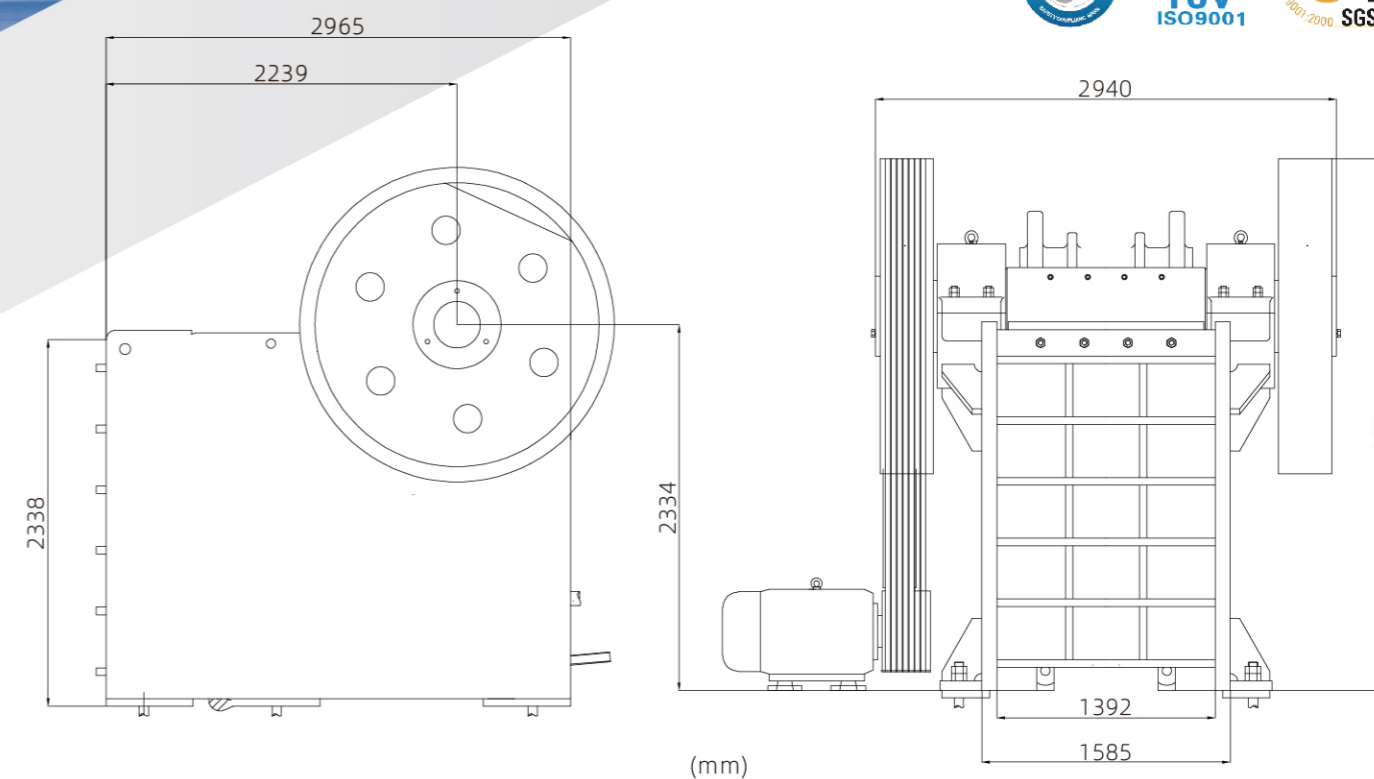
Standard Features

- ▶ Welded main frame construction of stress relieved steel.
- ▶ Open back for easy maintenance.
- ▶ Major working parts lubricated for moisture and dust protection.
- ▶ Reversible high manganese jaw plates for maximum wear life.
- ▶ Quality spherical, self-aligning roller bearings.
- ▶ Isolated close running annular/labyrinth seals protect bearings from dust and water.
- ▶ Removable pitman/bearing assembly for maintenance ease.
- ▶ Steep pitched toggle plate for maximum horizontal pitman movement.
- ▶ Manual discharge adjustment.
- ▶ 45# forged and heat-treated high precision eccentric shaft.
- ▶ Heavy duty, cast steel pitman with machined barrel.
- ▶ Machined pitman surface for full swing jaw plate support.
- ▶ Smooth running flywheels with compression ring fastening arrangement.
- ▶ High strength Q235 pitman guard plate.
- ▶ Detachable high manganese side plates.
- ▶ Extra deep crushing chamber.

Optional Features

- ▶ Electric control panel.
- ▶ Flywheel protective guard.
- ▶ Hydraulic discharge adjustment.
- ▶ Grease Central Distribution system.

Feed opening	750x1060mm
Discharge setting	80 to 150mm
Maximum feed size	630mm
Production range	100 to 250 TPH
The discharge setting corresponds to the production	
80mm	100 to 125 TPH
90mm	125 to 150 TPH
100mm	150 to 175 TPH
115mm	175 to 200 TPH
130mm	200 to 225 TPH
150mm	225 to 250 TPH
Required power	110 KW
Rotor speed	250 RPM
Weight (kg)	
Crusher	27,300
Flywheel	1,960
Swing jaw plate	1,380
Fixed jaw plate	1,320
Standard part dimensions (mm)	
Fixed jaw plate	1685x1230
Swing jaw plate	1880x1040
Bearing information	
Pitman bearing No.	23176CA/C3W33
Frame bearing No.	23176CAK/C3W33



Note: Because of the nature of jaw crushers, it is not possible to produce a product all of which will pass a screen opening equivalent to the discharge setting. Oversize should be expected, and will fluctuate depending on the rock characteristics. For close settings, all undersize material should be screened off to increase the effectiveness of the jaw and to reduce wear on the jaw plates. Although the crusher may be configured to have a different discharge opening than indicated above, this crusher model is not designed to operate at other settings.

